

SPECIFICATIONS

Electrical Ratings	50mA @ 12VDC
Electrical Life	100,000 cycles typical
Contact Resistance	< 50 mΩ initial
Actuation Force	250 +/- 50gF
Actuator Travel	0.3 +/- .1mm
Dielectric Strength	1000Vrms min
Insulation Resistance	> 100MΩ min
Operating Temperature	-40°C to 70°C
Storage Temperature	-40°C to 70°C



MATERIALS ←RoHS COMPLIANT

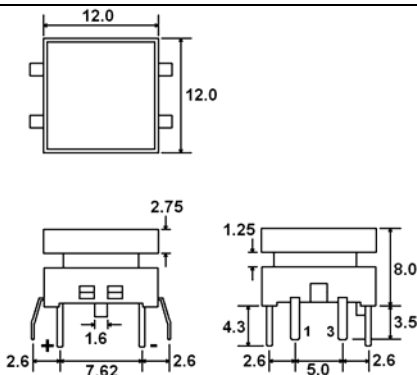
Cover	PC
Housing	Nylon
Lens	PC
Dome Contact	Copper Alloy, Silver Clad
Terminals	Copper Alloy, Gold over Nickel Plated

ORDERING INFORMATION

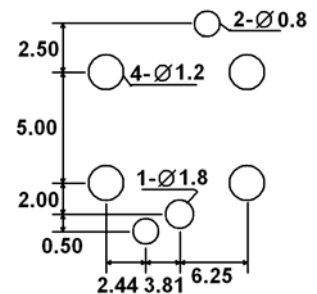
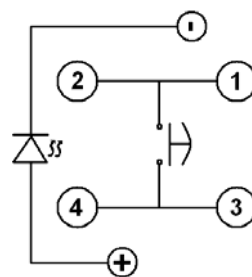
1. Series:	JS	B	C
JS			
2. LED Color:			
R = Red	B = Blue		
G = Green	W = White		
Y = Yellow			
3. Clear Cap Style:			
Blank = No Cap			
A, B, C, D, E, F, G			

LED Ratings		R	G	Y	B	W	Units
Reverse Voltage	V _R	5	5	5	5	5	V
Forward Current (avg / peak)	I _F / I _{FS}	30 / 125	30 / 125	30 / 125	30 / 125	30 / 125	mA
Reverse Current V _R = 5V	I _R	10	10	10	10	10	μA
Power Dissipation	P _T	69	75	75	120	120	mW
Forward Voltage (typ. / max), I _F = 20mA	V _F	1.8 / 2.6	2.2 / 2.6	2.1 / 2.6	3.5 / 4.0	3.2 / 3.8	V
Wavelength, Peak Emission, I _F = 20mA	λ _P	660	572	595	455	----	nm
Spectral Line Half-Width, I _F = 20mA	Δλ	20	20	20	30	----	nm
Luminous Intensity, I _F = 20mA	LI	20	20	80	40	200	mcd
Viewing Angle	Θ	150	150	150	150	150	Deg

DIMENSIONS



SCHEMATIC & PC LAYOUT



CLEAR CAP OPTIONS

